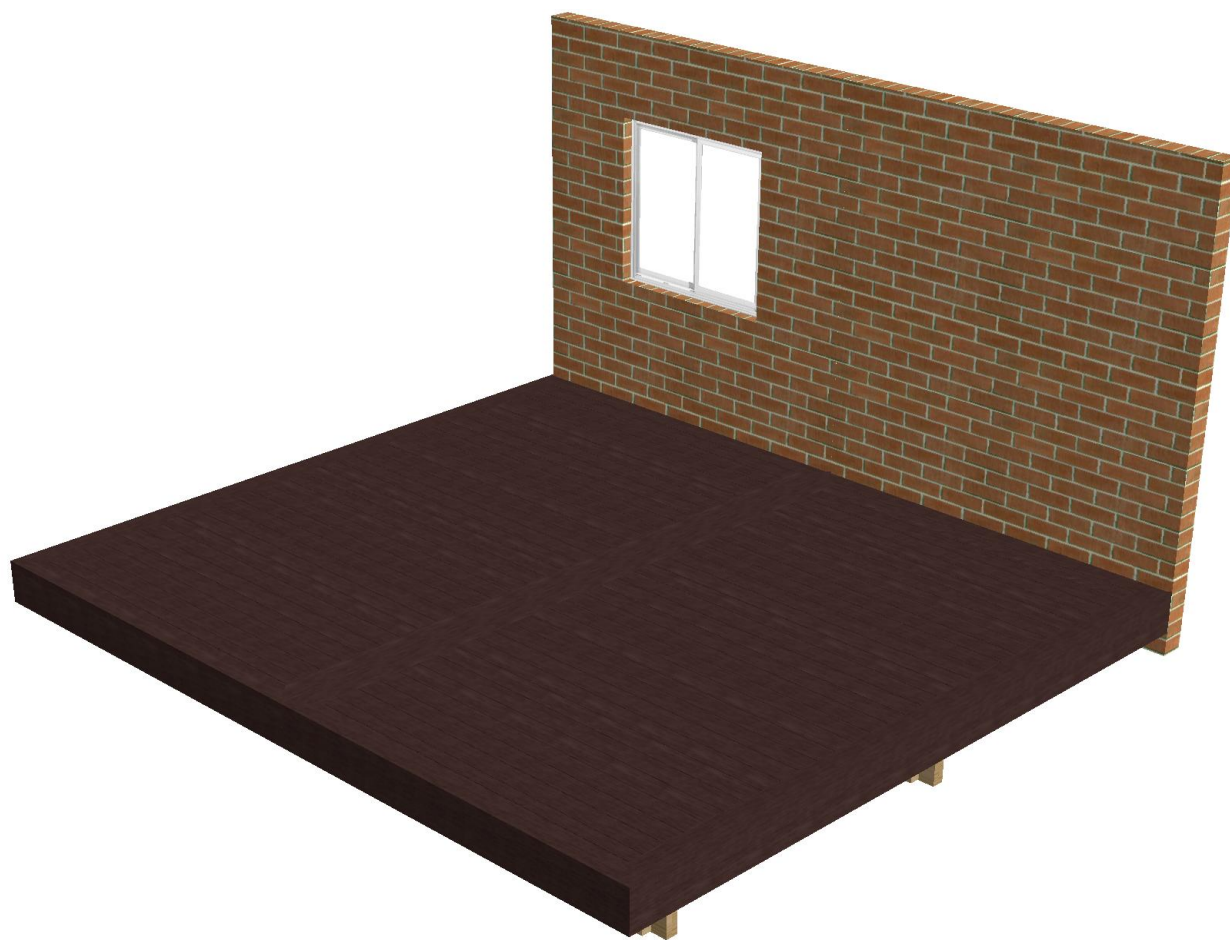


Steve's Deck Design Platform Deck

Congratulations! You just completed your Trex deck design. This report will provide the following information:

- Deck Layout Diagrams
- Deck Parts Descriptions
- Tool & Safety Tips
- Basic Installation Tips
- Shopping List



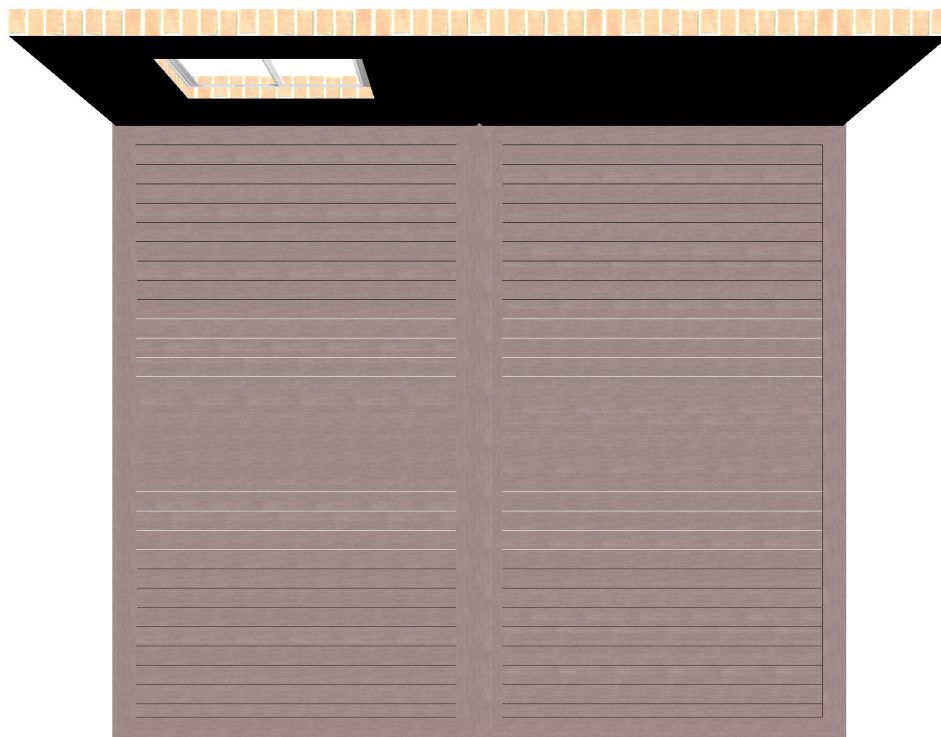
Deck layout diagram



Top view without planks



Bottom view with planks



Top view with planks



Trex® Deck Specifications

Level 1:

Dimensions: 8' 6"x15' 0"x1' 6"

Product Selections:

Decking:

Trex Transcend®
Vintage Lantern
Vintage Lantern

Railing:

No Railing
Fascia: Vintage Lantern

Level 2:

Dimensions: 8' 6"x15' 0"x1' 6"

Product Selections:

Decking:

Trex Transcend®
Vintage Lantern
Vintage Lantern

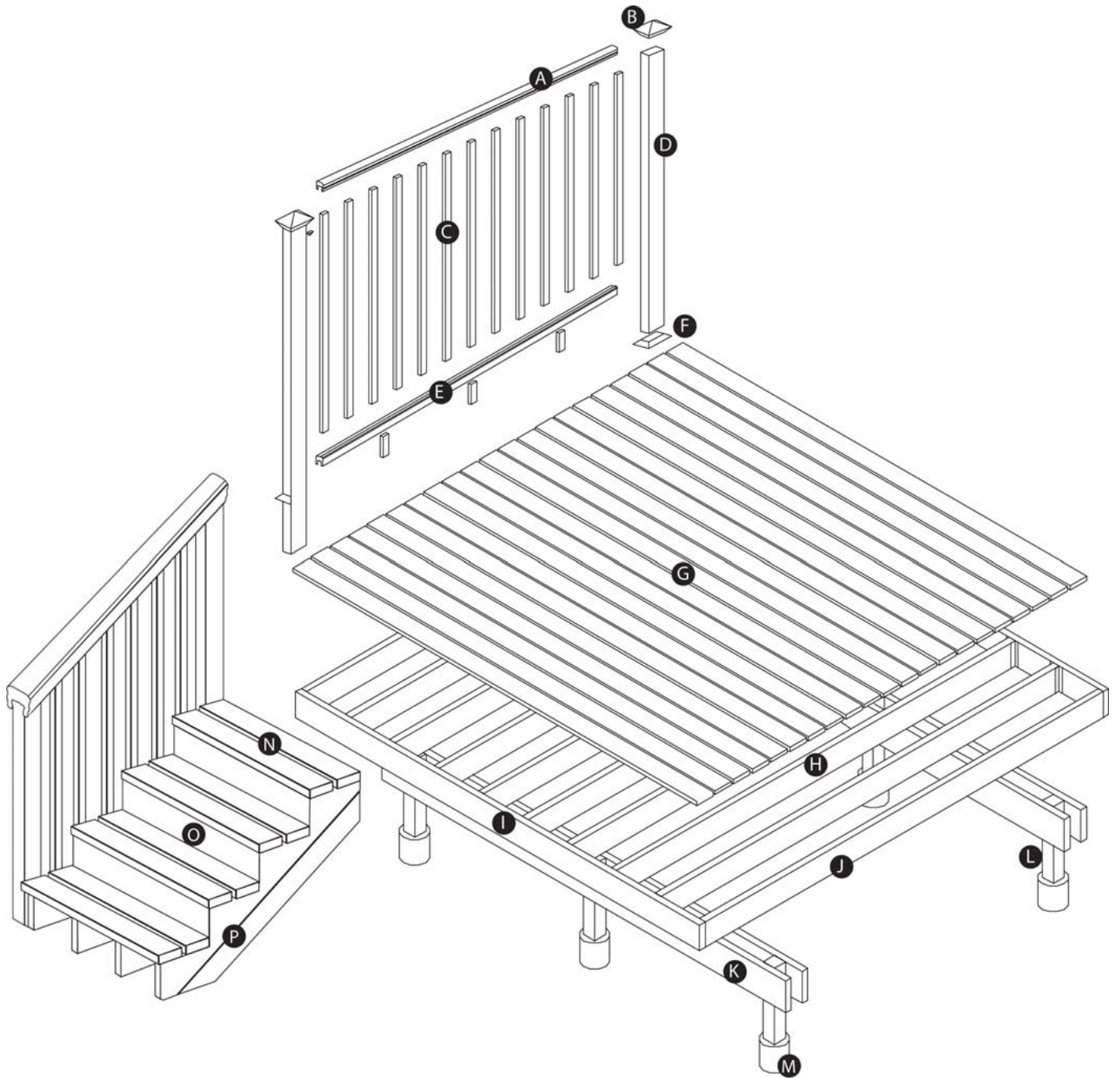
Railing:

No Railing
Fascia: Vintage Lantern

Entire deck dimensions: 17' 0"x15' 0"x1' 6"

Note: Because of wood content in Trex composites, natural color shifts do occur in Trex products. The "after weathering" color of Trex may be different from the colors shown in the Trex Deck Designer. For more information on weathering, visit <http://trex.com/own/natural-weathering>.

Parts of a Trex® Deck



Glossary of Terms

- A. Top rail:** The horizontal member, attached to the top of the balusters as well as the posts.
- B. Post Cap:** A decorative cap attached to the top of the post to protect the post from the weather.
- C. Baluster:** A vertical railing member, filling the area between the posts.
- D. Rail Post:** A vertical member that supports the railing.
- E. Bottom/universal rail:** The horizontal member attached to the bottom of the balusters, as well as the post. The Bottom Rail is not required if the balusters extend to and are attached to the Rim Joist.
- F. Post skirt:** A decorative skirt that covers post cutouts in decking allowing for faster installation and a more finished look.
- G. Decking:** The decking boards that serve as the walking surface.
- H. Joist:** Dimensional lumber, set on edge, which supports decking.
- I. Rim Joist:** A board fastened to the end of the joists, typically opposite of the ledger.
- J. End Joists:** The joists at the end of a series of parallel joists.
- K. Beam:** Supported by posts, the beam is the main horizontal support for the deck.
- L. Post:** Vertical supports that rest on footings and support the beam.
- M. Footing:** The below-ground support of a deck's post, usually made from concrete.
- N. Tread:** The walking surface of each step in a stairway.
- O. Riser:** A board attached to the vertical face of a step between treads.
- P. Stringer:** The support frame of stairs where the risers and treads attach to.

Fascia Board (*not shown*): The boards used to cover rim joists and end joists (also known as face boards).

Ledger (*not shown*): A board, equal in size to the joist, which anchors the deck to the house and supports one end of the deck.

Batterboard (*not shown*): Horizontal boards attached level to stakes, used as reference or guides during the initial excavation and rough grading of a deck construction.

Basic Installation Tips

Building code and zoning requirements

- Check deed restrictions, building codes and/or zoning laws to make sure your deck complies.
- Check with local utility companies to make sure deck construction will not disturb underground piping or wiring.

Deck function

- While planning your deck, determine how it will be used.

Your climate

- While planning your deck, consider local weather.
- Take advantage of good views and sun movement.

Install ledger

- Install ledger if anchoring deck to house.
- Ledger placement determines the deck floor level, normally 2-4" below floor line.
- If unsure about attaching a ledger board, consult a professional. This is a critical connection.

Outline Deck Area

- Use batterboards and mason's string to mark off deck area and locate footing.
- Attach string to ledger and/or batterboards.
- Batterboards go just outside perimeter corners of the deck.
- Use the 3-4-5 method to get a 90 degree angle in one corner.

Site Preparation

- Weed the area where deck will be built.
- Remove sod 4"-6" from staked area; replace with gravel and level.

Install framing posts

- Locate posts by measuring in from batterboards.
- Postholes can be a minimum of 24" deep to a maximum of 48" deep depending on the height of the column and the depth of the frost line.
- Check on the frost line in your area.
- Determine method of setting post.

Basic Installation Tips

Post bracing

- Perimeter posts over 5' high from ground to deck need bracing.

Attach beams to posts

- Determine the desired deck floor height on the posts.
- Determine height for securing the top of the beam to the post.
- Attach with through bolts.

Attach joists

- Typical joist spacing is 16" on center. Refer to the Trex Installation Guide found on trex.com for decking span charts as this will vary depending on the size of decking used and angle or pattern placement.
- Joists are attached to ledger board with joist hangers or by toenailing.
- Determine where blocking will go and snap a chalk line, but make sure to stagger pieces for ease of nailing.

Lay decking

- Gap all Trex decking according to the recommendations found in the Trex Installation Guide.
- The deck boards can be trimmed after they are installed.

Railings

- Railings must be firmly attached to the framing members of the deck and follow the Trex Railing installation instructions closely. Install posts either 6' or 8' on center, depending on style of railing chosen. Refer to the Trex Installation Guide for details.

Stairs

- Stairs should be at least 3' wide.
- Check local codes on stair restrictions, including rise and run limits.

Multi-level decks

- When planning a multi-level deck, for aesthetics make one deck larger than the other.

Tools Required & Safety Tips

For more detailed information on building with Trex, please download our Product & Installation Guide on trex.com.

- Carpenter's level
- Chalk line
- Chisel
- Circular saw
- Claw hammer
- Crescent wrench
- Drills and bits
- Dust mask
- Extension cord
- Framing square
- Gloves
- Hand saw
- Hoe and hose (to mix concrete)
- Ladder
- Mallet
- Nail set
- Pencils
- Pick
- Plumb bob
- Post hole digger
- Rafter square
- Ruler
- Safety glasses/goggles
- Screwdrivers
- Shims or spacers
- Shovel
- Socket wrench
- Stakes & Batterboards
- String
- Tamper
- Tape measure
- Trex Gapping Tool
- TrexExpress™ Railing Tool
- Tool belt
- Two foot level
- Wheel barrow

Safety Tips:

Safety

1. Pressure-Treated Wood contains a pesticide. If cutting Pressure-Treated material, a fabric breathing mask will help to avoid ingestion of the dust.
2. Wear gloves as the wood surface is rough and can cause splinters.
3. Invest in a pair of kneepads if you are doing floor jobs or working on a deck. It will help prevent future injuries.
4. Dispose of scraps in the regular trash or take to a landfill. Never burn.
5. When cutting or drilling wood, always wear eye protection to prevent injury from flying wood particles.



Trex Shopping List

For hardware details, contact your local lumberyard or consult your contractor or architect.

TREX Materials:

MATERIAL	QTY	DESCRIPTION
Trex	8	Trex Transcend Vintage Lantern 1"X12"X12' Fascia/Trim
Trex	4	Trex Transcend 1"X5.5" Vintage Lantern 16' Decking
Trex	2	Trex Transcend 1"X5.5" Vintage Lantern 20' Decking
Trex	2	Trex Transcend 1"X5.5" Grooved Vintage Lantern 12' Decking
Trex	30	Trex Transcend 1"X5.5" Grooved Vintage Lantern 16' Decking



Trex Disclaimer & Disclosures

We want you to have fun using our software and building your Deck. However, we care about safety. Carefully read the following **Disclaimer and Disclosure**. You may proceed only if you have read this information and agree to the terms.

The suggested design is a construction guide and is NOT a finished building plan. It is your responsibility to verify its accuracy, completeness, suitability for your particular site conditions, and compliance with local building codes and practices. Please consult your local building codes for requirements for deck lighting.

DIYonline.com and Trex Company, Inc. assume no responsibility for any damages, including direct or consequential, personal injuries suffered, or property or economic losses incurred as a result of the information published on the DIYonline.com web site, Trex web site or Deck Specification Kit. Before beginning the project, review the instructions carefully. We cannot anticipate all of your working conditions or the characteristics of your materials and tools. For your safety, you should consider your own skill level and use caution, care and good judgment when following the instructions. If you have doubts, concerns or questions, consult local experts, architects, soil engineers or building authorities. Because local zoning and building codes and regulations vary greatly, you should ALWAYS CHECK WITH LOCAL AUTHORITIES TO ENSURE THAT YOUR PROJECT COMPLIES WITH ALL APPLICABLE CODES AND REGULATIONS. Always read and observe the instructions and safety precautions provided by any tool or equipment manufacturer, and follow all accepted safety procedures.

Be sure to follow the Deck construction and guidelines carefully. You are responsible for ensuring that all measurements are correct. Due to size, shape, location or other considerations, your design may require supporting structures, such as knee braces and bridging between joists, that are not included on the materials list and other information provided. **YOU ARE RESPONSIBLE FOR ENSURING THAT YOUR DESIGN IS SAFE AND STRUCTURALLY SOUND FOR ITS SIZE, LOCATION AND ANTICIPATED USE.** You are also responsible for verifying that the design and any substitutions or modifications you make meet all local building codes and regulations.

DIYonline.com and Trex Company, Inc. assume no liability or responsibility for your design, construction or use of any product supplied by DIYonline.com.

YOU ASSUME TOTAL RESPONSIBILITY AND RISK FOR YOUR USE OF THE CREATE YOUR SPACE® DECK DESIGNER, DIYONLINE.COM WEB SITE, THE TREX.COM WEB SITE AND DECK SPECIFICATION REPORT. TREX COMPANY INC AND DIYONLINE.COM PROVIDE THIS SITE, ALL INFORMATION, PRODUCTS AND SERVICES "AS IS" AND DOES NOT MAKE EXPRESS OR IMPLIED WARRANTIES, REPRESENTATIONS OR ENDORSEMENTS OF ANY KIND WHATSOEVER (INCLUDING WITHOUT LIMITATION, THE IMPLIED WARRANTIES OF MERCHANTABILITY OR FITNESS FOR A PARTICULAR PURPOSE.)

You understand that it is your responsibility to check any and all codes associated with deck construction. It is also your responsibility to obtain any deck construction permits as required by city, county, or state agencies.